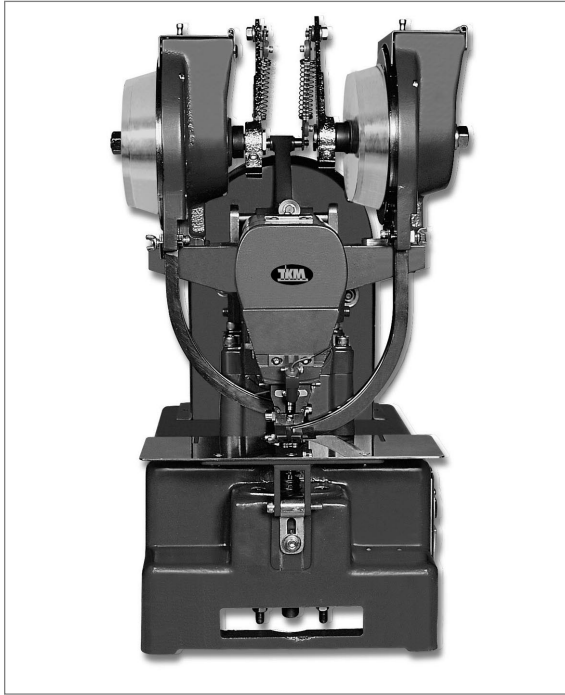


까시, 펄 스냅기/PRONG, PEAL SNAP MACHINE

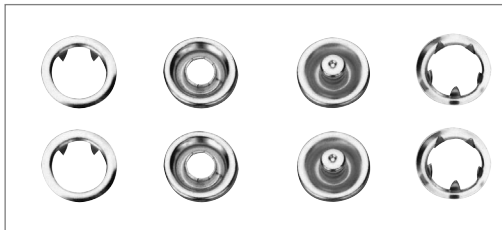
SSM-444



- 컴팩트한 사이즈로 작업시 운반용이
- For Y-Shirts, Infant's Apparel
- Only available for AC 220V or 110V/0.25KW, 1/3 HP



까시, 펄, 링 스냅기/Prong, Pearl, Ring Type Snap M/C SSM-555 · A/(B)



For Jumper

- Only available for AC 220V/0.25KW, 1/3 HP

